

# Trasteel WEAR PARTS



**Attachments**

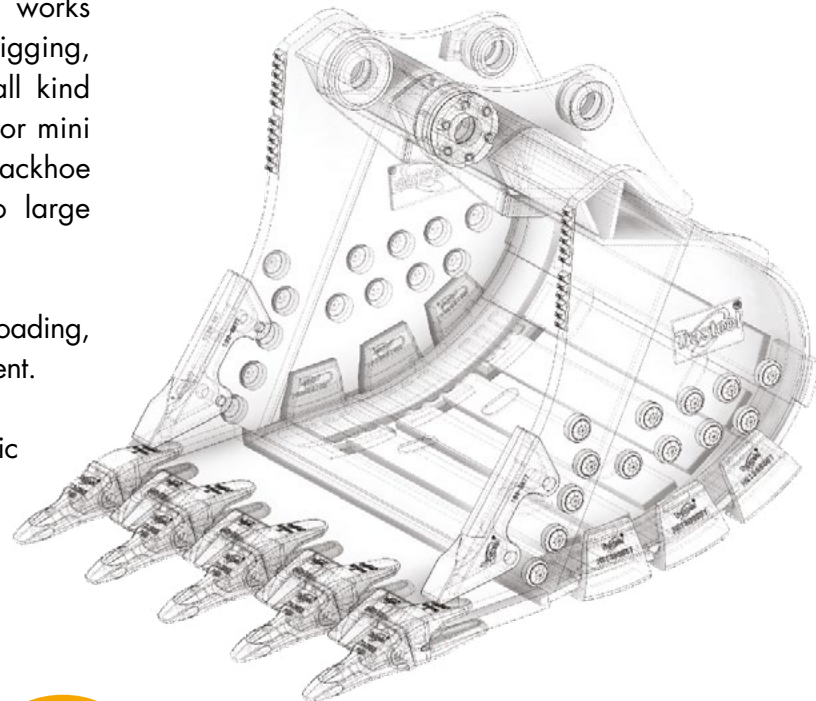


## Attachments and equipment for excavators, loaders and handling of materials

Trasteel Tech offers a wide range of solutions for excavation, loading and handling works regardless of the materials. From digging, earthmoving and screening buckets for all kind of light construction equipment. Intended for mini and midi excavators from 1 Tm to 14 Tm, backhoe loaders, and excavators from 15 Tm to large production equipment up to 150 Tm.

Trasteel Tech also provides solutions for loading, earthmoving and handling activities equipment.

Our range covers attachments for telescopic handlers and all kind of wheel loaders, working in big quarries and mining, harbours, hot slag foundries and a many other applications.



Exclusive design on all **TRASTEEL TECH** buckets, with 3 levels of manufacturing and finishing depending on the customer's perform requirement.

### BUCKETS AND EQUIPMENT ECO-TECH Series

**LP-Light Performance**  
Handlings and low abrasion groundworks.

**HP-High Performance**  
Standard work with high abrasion level.

**HPR-High Performance Reinforced**  
Heavy construction work with high abrasion index.

### Your machine got a thing for Trasteel

#### Excavator equipment

- 1 **Excavation Buckets**
- 2 **Skeleton Buckets** for Sorting Material
- 3 **Cleaning Buckets** with and without TILT
- 4 **Trapezoidal Buckets** for Ditches
- 5 **Rippers**
- 6 **Quick Couplers** Mechanical and Hydraulic
- 7 **TILT and ROTOTILT**

#### Front loaders equipment

- 1 **Loading Buckets** for light materials suitable for all types of loaders
- 2 **Heavy Duty Buckets** for quarries and mining on large production loaders
- 3 **High Dump Buckets** for differents materials; from cereals or grain to iron ores, coal or any other material in harvour operations
- 4 **Clamps for Loading Logs** in the forestry sector
- 5 **Forks for Loading** large blocks in ornamental stone quarries
- 6 **Quick Couplers** for efficient and safe changes of equipment

**ECO-TECH** series offers buckets for mini excavators 0.6 to 9 Tm, midi- excavators from 10 up to 14 Tm, backhoe loaders and medium excavator up to 40 tons.

All of them are available for major couplings systems in the market: MARTIN, VERACHTERT, MORIN, EASYLOCK, RETROMATIK or directly with pin linkage for all machine brands.

In addition, **TRASTEEL** offers different type of attachments such as skeleton buckets,

trapezoidal buckets, ditch cleaning buckets, ripper shanks, hydraulic and mechanic quick couplers, etc.

Moreover, for loaders, we offer fixed front buckets or 4x1, high capacity and high dump buckets for light materials, or loading buckets for quarries and heavy materials.

A wide assortment of attachments at very competitive prices, but always with a high quality of the final product, is the proposal of the **TRASTEEL ECO-TECH** line.



## EXCAVATOR & LOADERS EQUIPMENT **EXTREME-TECH Series**

Excavator and loader buckets built with special steels of high hardnesses and oversized thicknesses reinforcements. Protections in all critical points with high performance **TRASTEEL ELITE** wear components.

**TRASTEEL EXTREM-TECH** equipments are designed in accordance with a previous detailed study, to meet particular customer performance needs, especially for the most demanding tasks and the highest levels of soil abrasion. This provides a long wear life without the need for major maintenance interventions in the most sensitive areas of the equipment.

**EXTREME TECH** is indicated especially for high production excavators and loaders up to 150 tons.

Highly reinforced bottom and sides on 450 HB antiwear materials

450HB steel for the rolled bottom plate

Trasteel side bar protectors

Bottom Wear Bars oversized made on 450 HB steel

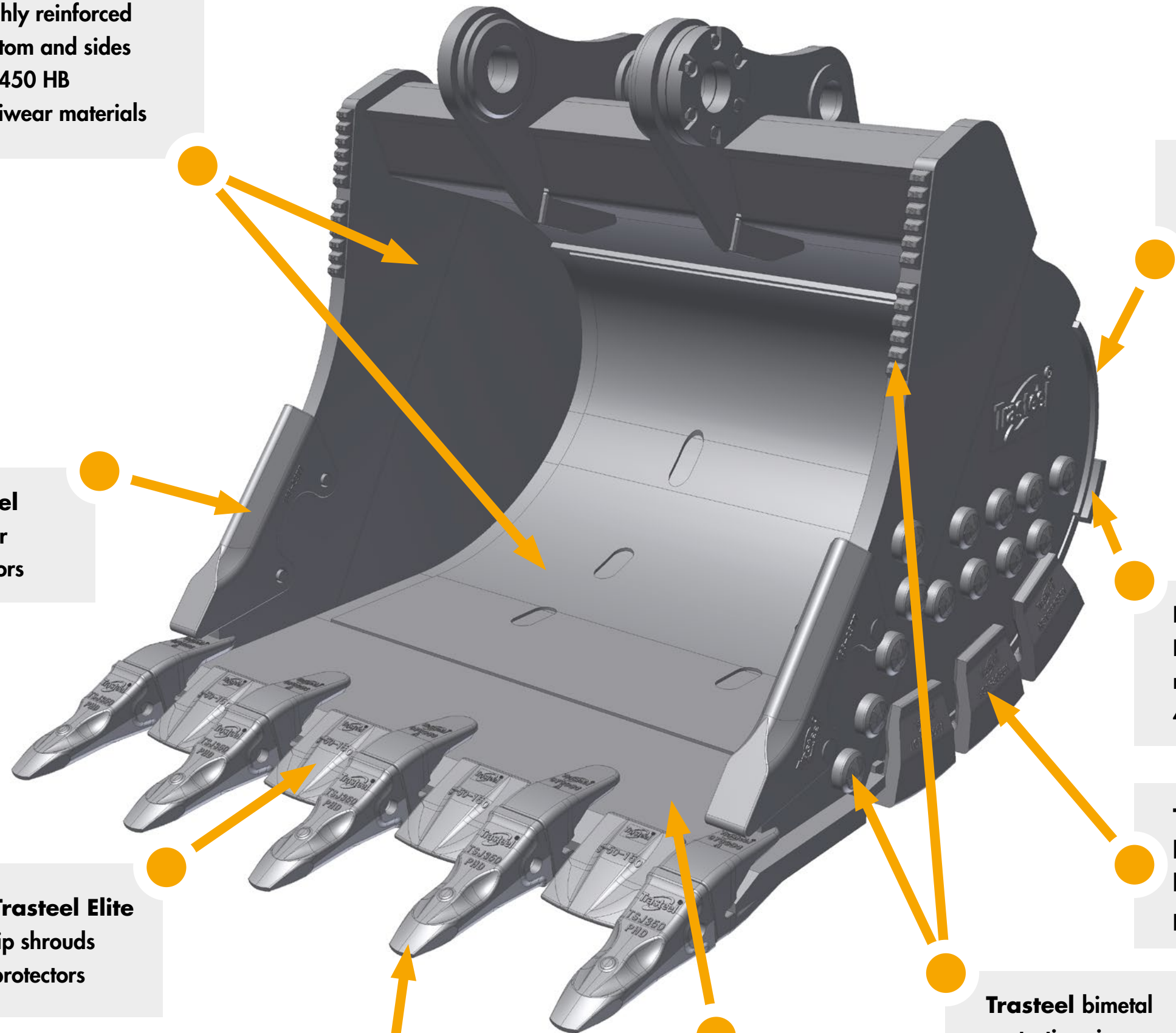
Trasteel Elite heel shrouds for bottom corners protection

Trasteel Elite lip shrouds protectors

Trasteel bimetal protections in wear critical areas. Up to 700 HB

Trasteel Elite Penetration Heavy Duty (PHD) teeth and solid adapters

Straight, Delta or Semi-Delta blades made from high tough and resistance wear steel



**.Trasteel** | WEAR  
PARTS

